



PRODUCT DETAILS



PLS-FL50W-6K/G/S



PLS-FL100W-6K/G/S



PLS-FL150W-6K/G/S

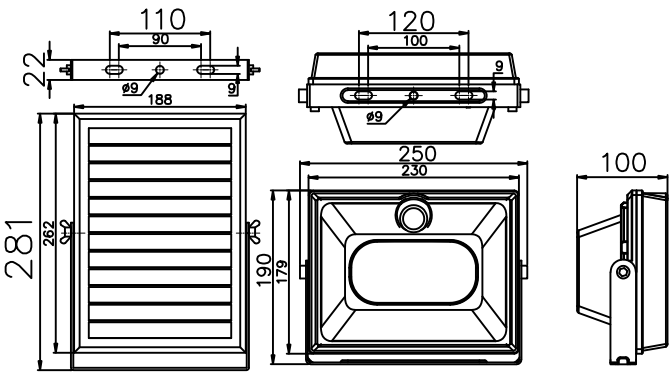
Key Features

- Solar LED Flood light with Polycrystalline Solar panel
- No AC power cables, no electrical charges
- 5M length cable from the flood light to the solar panel
- Lithium battery, Remote controller included
- Build-in Motion senso, Build-in dusk to dawn sensor

PACKING DETAILS:

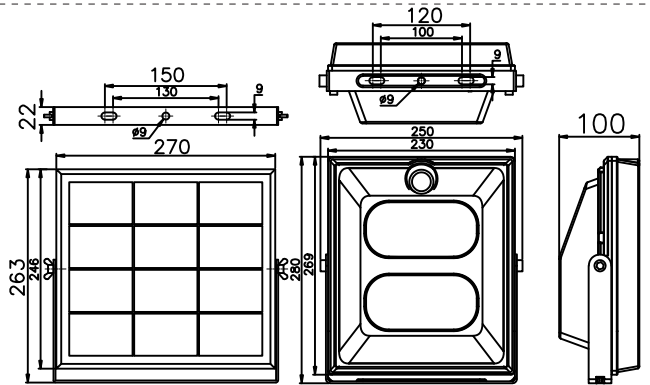
PLS-FL50W-6K/G/S
 Product: **PLS-FL100W-6K/G/S**
PLS-FL150W-6K/G/S
 Net Weight: 1.30 / 3.00 / 3.50 kg
 Outer ctn size: 570*430*230mm
 610*420*295mm
 760*420*295mm
 Q'ty per ctn: 10 / 6 / 6 pc
 G.W per ctn: 15.00 / 19.50 / 23.50 kg

MODEL NUMBER	Wattage	Materials	LED CHIPS	LED Q'ty (pcs)	LUMENS	CCT	Solar Panel	Battery	Charging Time	Discharging Time	CRI	DIMMABLE	Warranty
PLS-FL50W-6K/G/S	50W	ABS	SMD5730	60	6000lm	6K	6V 5.5W	3.2V 12Ah	6-8 Hours	10-12 Hours	> 80	Yes	3 years
PLS-FL100W-6K/G/S	100W	ABS	SMD5730	120	12000lm	6K	6V 8.5W	3.2V 18Ah	6-8 Hours	10-12 Hours	> 80	Yes	3 years
PLS-FL150W-6K/G/S	150W	ABS	SMD5730	180	18000lm	6K	6V 11.5W	3.2V 24Ah	6-8 Hours	10-12 Hours	> 80	Yes	3 years
PLS-RC	Remote controller for LED solar street light, batten light and Flood light.												

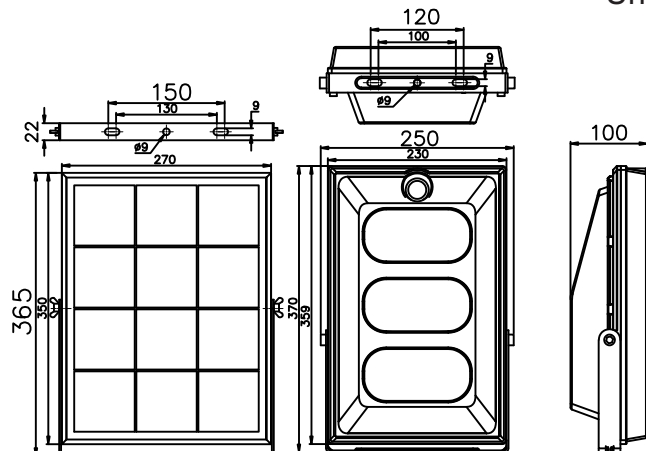


PLS-FL50W-6K/G/S

Unit: MM



PLS-FL100W-6K/G/S



PLS-FL150W-6K/G/S



PLS-RC

REMOTE CONTROLLER INSTRUCTION

Mode button:

Mode 1: Motion sensor mode, starts with 100% lumen output then standby 30% lumen output if no motion after dusk.

Mode 2: Constant 100% brightness after dusk.

4H & 6H button: Hours lasting for 100% brightness after dusk, then turns off.

ON button: The light is on with mode 1.

OFF button: The light turns off.

These flood lights will come with this remote controller.



PRODUCT DETAILS



PLS-FL100W-6K/B



PLS-FL200W-6K/B



PLS-FL300W-6K/B

Key Features

- Solar LED Flood light
- No AC power cables, no electrical charges
- Die-Casting Aluminium body
- Polycrystalline Solar panel
- Lithium battery, Remote controller included
- 5M length cable from the flood light to the solar panel
- Build-in dusk to dawn sensor

PACKING DETAILS:

Product: PLS-FL100W-6K/B Light
 PLS-FL200W-6K/B Light
 PLS-FL300W-6K/B Light

Net Weight: 2.80 / 5.50 / 8.00 kg
 Outer ctn size: 545*345*285mm
 510*420*380mm
 460*365*445mm

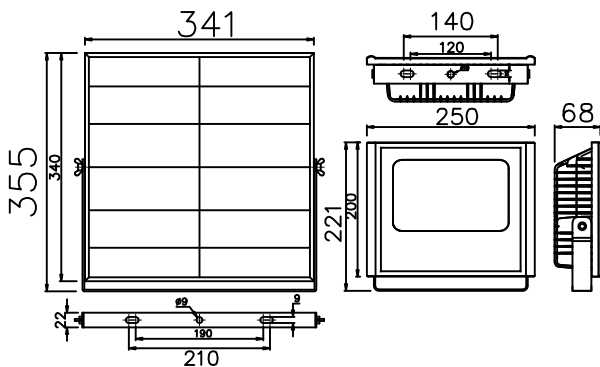
Q'ty per ctn: 6 / 4 / 2 pc
 G.W per ctn: 19.50 / 25.50 / 17.00 kg

Product: PLS-FL100W-6K/B Solar Panel
 PLS-FL200W-6K/B Solar Panel
 PLS-FL300W-6K/B Solar Panel

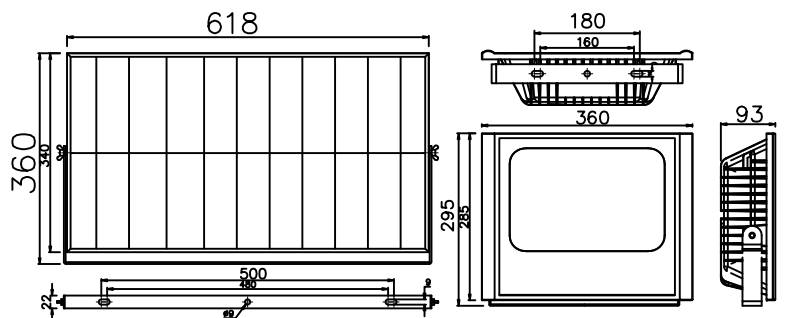
Net Weight: 2.20 / 4.50 / 5.00 kg
 Outer ctn size: 525*175*365mm
 685*145*550mm
 685*170*550mm

Q'ty per ctn: 6 / 4 / 4 pc
 G.W per ctn: 16.00 / 20.00 / 21.00 kg

MODEL NUMBER	Wattage	Materials	LED CHIPS	LED Q'ty (pcs)	LUMENS	CCT	Solar Panel	Battery	Charging Time	Discharging Time	CRI	DIMMABLE	Warranty
PLS-FL100W-6K/B	100W	Die-Casting Aluminium	SMD5730	224	12000lm	6K	9V 25W	6.4V 18Ah	6-8 Hours	10-12 Hours	> 80	No	3 years
PLS-FL200W-6K/B	200W	Die-Casting Aluminium	SMD5730	424	24000lm	6K	18V 30W	12.8V 30Ah	6-8 Hours	10-12 Hours	> 80	No	3 years
PLS-FL300W-6K/B	300W	Die-Casting Aluminium	SMD5730	584	36000lm	6K	6V 65W	3.2V 96Ah	6-8 Hours	10-12 Hours	> 80	No	3 years
PLS-RC	Remote controller for LED solar street light, batten light and Flood light.												

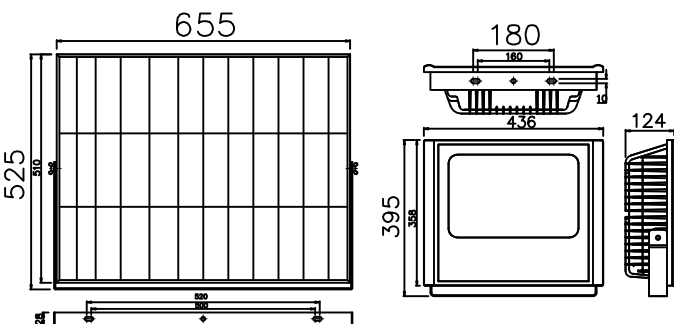


PLS-FL100W-B



PLS-FL200W-B

Unit: MM



PLS-FL300W-B

REMOTE CONTROLLER INSTRUCTION

Mode button:

Mode 1: The light will be on after dusk.

Mode 2: The light will be on at daytime and night time.

4H & 6H button: Hours lasting for the light is on after dusk, then turns off.

ON button: The light is on with mode 1.

OFF button: The light turns off.



PLS-RC

These flood lights will come with this remote controller.